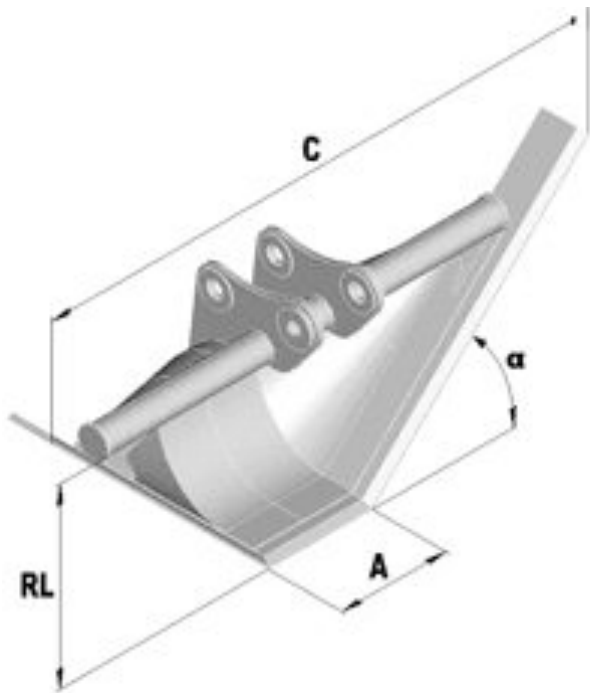


BENNA TRAPEZOIDALE per escavatori

TRAPEZOIDAL BUCKET for excavators



Class Class	Codice Code	A mm.	Cap. SAE Lt.	Gradi Degrees α	Peso Weight Kg.	RL mm.	C mm.	
T.48 7,0-9,0 ton	T48TRB030	300	200	64°	178	700	1200	
	T48TRD030		250	54°	220		1650	
		1	2	3	4	5	6	7
	Materiale Material	/	Hb 150	Hb 150	Hb 400	Hb 150	Hb 400	/
	Spessore Thickness	/	114 x 12 mm	6 mm	150 x 20 mm	6 mm	150 x 20 mm	/

Class Class	Codice Code	A mm.	Cap. SAE Lt.	Gradi Degrees α	Peso Weight Kg.	RL mm.	C mm.	
T.50 9,0-12 ton	T50TRB030	300	200	64°	188	700	1200	
	T50TRD030		250	54°	230		1650	
		1	2	3	4	5	6	7
	Materiale Material	/	Hb 150	Hb 150	Hb 400	Hb 150	Hb 400	/
	Spessore Thickness	/	114 x 12 mm	6 mm	150 x 20 mm	6 mm	150 x 20 mm	/

Classe Class	Codice Code	A mm.	Cap. SAE Lt.	□ Gradi	Peso Weight Kg.	RL mm.	B mm.	C mm.	
T.55 T.60	T60TRB040	400	575	45°	455	780	1000	2400	
	T60TRC040		510	52°	400			1900	
	T60TRD040		470	60°	350			1600	
12-18 ton		1	2	3	4	5	6	7	8
	Materiale Material	Fe510	Fe510	Fe510	Hb400	Fe510	Hb400	/	/
	Spessore Thickness	8 mm	16 mm	6 mm	20 mm	12 mm	25 mm	/	/

Classe Class	Codice Code	A mm.	Cap. SAE Lt.	□ Gradi	Peso Weight Kg.	RL mm.	B mm.	C mm.	
T.65 T.66	T66TRA050	500	1000	39°	650	980	1200	3500	
	T66TRB050		880	45°	600			2900	
	T66TRC050		750	52°	550			2300	
	T66TRD050		680	60°	520			1900	
18-25 ton		1	2	3	4	5	6	7	8
	Materiale Material	Fe510	Fe510	Fe510	Hb400	Fe510	Hb400	/	/
	Spessore Thickness	10 mm	16 mm	6 mm	25 mm	12 mm	25 mm	/	/

Classe Class	Codice Code	A mm.	Cap. SAE Lt.	□ Gradi	Peso Weight Kg.	RL mm.	B mm.	C mm.	
T.68 T.70	T70TRA050	500	1600	39°	850	1250	1500	4250	
	T70TRB050		1400	45°	780			3500	
	T70TRC050		1200	52°	700			2800	
25-36 ton		1	2	3	4	5	6	7	8
	Materiale Material	Fe510	Fe510	Fe510	Hb400	Fe510	Hb400	/	/
	Spessore Thickness	10 mm	20 mm	6 mm	25 mm	12 mm	30 mm	/	/