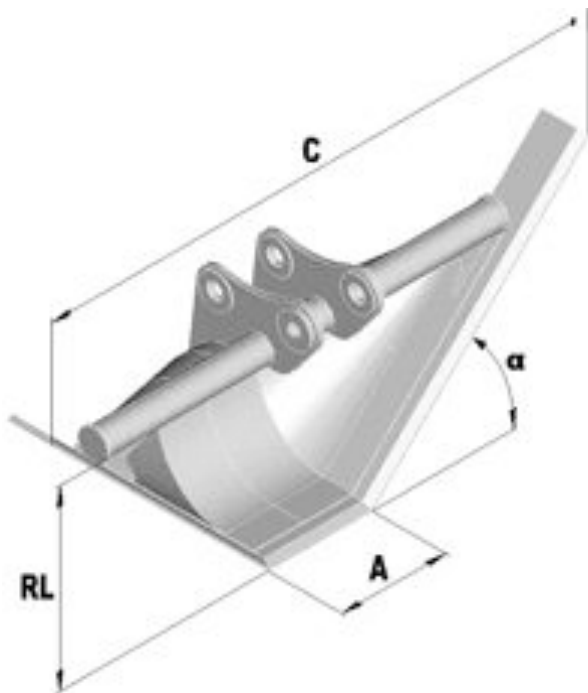


BENNA TRAPEZOIDALE per escavatori

TRAPEZOIDAL BUCKET for excavators



Classe Class	Codice Code	A mm.	Cap. SAE Lt.	Gradi Degrees α	Peso Weight Kg.	RL mm.	C mm.	
T.18	T18TRB020	200	34	60°	44	300	650	
	T18TRD020		48	50°	48		850	
0,6-1,2 ton		1	2	3	4	5	6	7
	Materiale Material	/	Hb 150	Hb 150	Hb 400	Hb 150	Hb 400	/
	Spessore Thickness	/	60 x 8 mm	5 mm	150 x 16 mm	5 mm	150 x 16 mm	/

Classe Class	Codice Code	A mm.	Cap. SAE Lt.	Gradi Degrees α	Peso Weight Kg.	RL mm.	C mm.	
T.20	T20TRB020	200	34	60°	44	300	650	
	T20TRD020		48	50°	48		850	
1,2-1,8 ton		1	2	3	4	5	6	7
	Materiale Material	/	Hb 150	Hb 150	Hb 400	Hb 150	Hb 400	/
	Spessore Thickness	/	60 x 8 mm	5 mm	150 x 16 mm	5 mm	150 x 16 mm	/

Classe Class	Codice Code	A mm.	Cap. SAE Lt.	Gradi Degrees α	Peso Weight Kg.	RL mm.	C mm.	
T.25	T25TRB025	250	60	54°	46	350	900	
	T25TRD025		78	50°	50		1000	
1,8-2,4 ton		1	2	3	4	5	6	7
	Materiale Material	/	Hb 150	Hb 150	Hb 400	Hb 150	Hb 400	/
	Spessore Thickness	/	60 x 8 mm	5 mm	150 x 16 mm	5 mm	150 x 16 mm	/

Classe Class	Codice Code	A mm.	Cap. SAE Lt.	Gradi Degrees α	Peso Weight Kg.	RL mm.	C mm.	
T.30 2,4-2,8 ton	T30TRB025	250	70	57°	67	400	900	
	T30TRC025		90	53°	72		1000	
	T30TRD025		95	45°	78		1200	
		1	2	3	4	5	6	7
	Materiale Material	/	Hb 150	Hb 150	Hb 400	Hb 150	Hb 400	/
	Spessore Thickness	/	60 x 8 mm	5 mm	150 x 16 mm	5 mm	150 x 16 mm	/

Classe Class	Codice Code	A mm.	Cap. SAE Lt.	Gradi Degrees α	Peso Weight Kg.	RL mm.	C mm.	
T.33 2,8-4,0 ton	T33TRB025	250	70	57°	67	400	900	
	T33TRC025		90	53°	72		1000	
	T33TRD025		95	45°	78		1200	
		1	2	3	4	5	6	7
	Materiale Material	/	Hb 150	Hb 150	Hb 400	Hb 150	Hb 400	/
	Spessore Thickness	/	70 x 10 mm	5 mm	150 x 16 mm	5 mm	150 x 16 mm	/

Classe Class	Codice Code	A mm.	Cap. SAE Lt.	Gradi Degrees α	Peso Weight Kg.	RL mm.	C mm.	
T.35 4,0-5,0 ton	T35TRB030	300	140	64°	130	650	1100	
	T35TRD030		172	60°	140		1300	
		1	2	3	4	5	6	7
	Materiale Material	/	Hb 150	Hb 150	Hb 400	Hb 150	Hb 400	/
	Spessore Thickness	/	89 x 10 mm	6 mm	150 x 20 mm	6 mm	150 x 20 mm	/

Classe Class	Codice Code	A mm.	Cap. SAE Lt.	Gradi Degrees α	Peso Weight Kg.	RL mm.	C mm.	
T.45	T45TRB030	300	200	64°	170	700	1200	
	T45TRD030		250	54°	210		1650	
		1	2	3	4	5	6	7
	Materiale Material	/	Hb 150	Hb 150	Hb 400	Hb 150	Hb 400	/
	Spessore Thickness	/	101 x 10 mm	6 mm	150 x 20 mm	6 mm	150 x 20 mm	/