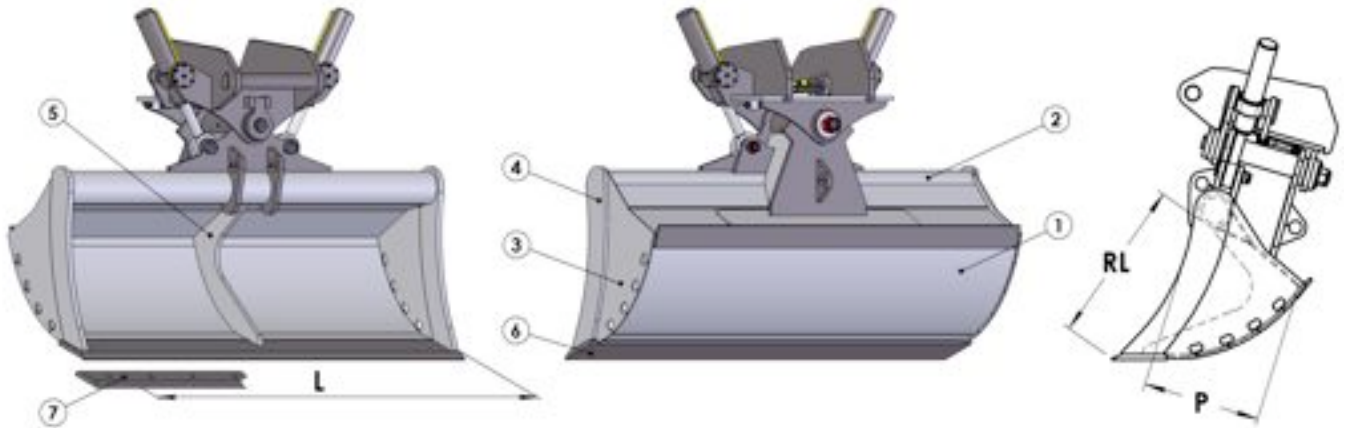


BENNA ORIENTABILE MODELLO A ZAPPA per escavatori

SWIVELING BUCKET SQUARED PROFILE for excavators



Classe Class	Codice Code	L mm.	Cap. SAE Lt.	Cilindri Cylinders n°	Peso Weight Kg.	RL mm.	P mm.		
T.65 18-22 ton	T65ORZ180	1800	546	2	746	648	460		
	T65ORZ200	2000	612	2	780				
	T65ORZ220	2200	677	2	828				
	T65ORZ240	2400	743	2	861				
	T65ORZ250	2500	775	2	878				
		1	2	3	4	5	6	/	7 Optional
	Materiale Material	Fe510	Fe510	Fe510	Fe510	Fe510	Hb400	/	Hb 400
Spessore Thickness	8 mm	14.2 mm	8 mm	20 mm	8 mm	25 mm	/	250 x 25 mm	

Classe Class	Codice Code	L mm.	Cap. SAE Lt.	Cilindri Cylinders n°	Peso Weight Kg.	RL mm.	P mm.		
T.66 22-25 ton	T66ORZ180	1800	717	2	822	747	511		
	T66ORZ200	2000	805	2	861				
	T66ORZ220	2200	892	2	918				
	T66ORZ240	2400	980	2	958				
	T66ORZ250	2500	1023	2	978				
		1	2	3	4	5	6	/	7 Optional
	Materiale Material	Fe510	Fe510	Fe510	Fe510	Fe510	Hb400	/	Hb 400
Spessore Thickness	8 mm	16 mm	8 mm	25 mm	20 mm	25 mm	/	250 x 25 mm	

Classe Class	Codice Code	L mm.	Cap. SAE Lt.	Cilindri Cylinders n°	Peso Weight Kg.	RL mm.	P mm.		
T.68 T.70	T68ORZ180	1800	937	2	1238	861	593		
	T68ORZ200	2000	1052	2	1294				
	T68ORZ220	2200	1168	2	1373				
	T68ORZ240	2400	1283	2	1435				
	T68ORZ250	2500	1340	2	1463				
25-36 ton		1	2	3	4	5	6	/	7 Optional
	Materiale Material	Fe510	Fe510	Fe510	Fe510	Fe510	Hb400	/	Hb 400
	Spessore Thickness	10 mm	20 mm	10 mm	30 mm	10 mm	30 mm	/	300x 30 mm