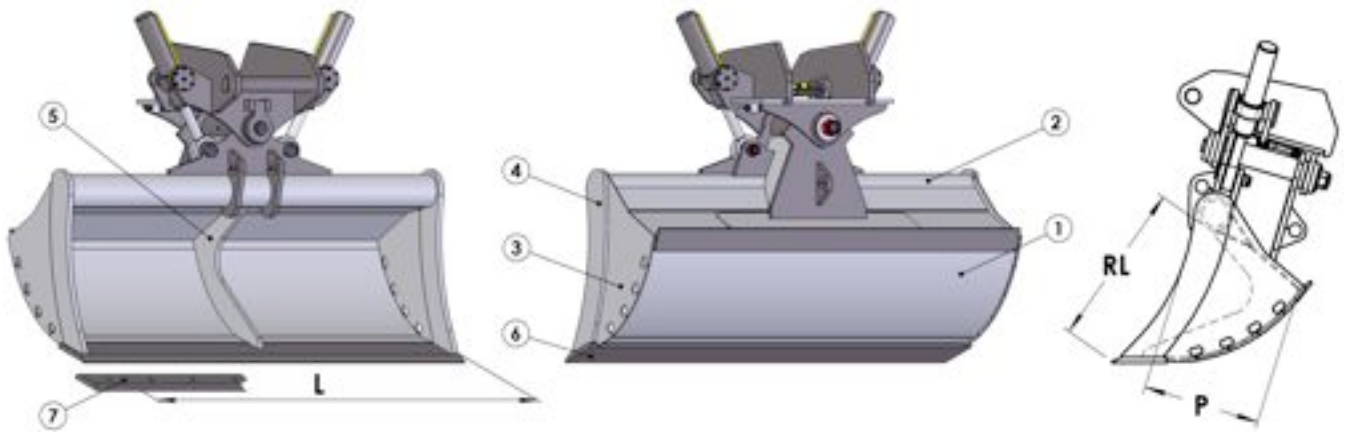


BENNA ORIENTABILE MODELLO A ZAPPA per escavatori

SWIVELING BUCKET SQUARED PROFILE for excavators



Classe Class	Codice Code	L mm.	Cap. SAE Lt.	Cilindri Cylinders n°	Peso Weight Kg.	RL mm.	P mm.		
T.48 T.50	T48ORZ140	1400	290	2	443	530	381		
	T48ORZ150	1500	313	2	457				
	T48ORZ160	1600	336	2	470				
	T48ORZ180	1800	380	2	497				
	T48ORZ200	2000	426	2	524				
7,0-12 ton		1	2	3	4	5	6	/	7 Optional
	Materiale Material	Fe510	Fe510	Fe510	Fe510	Fe510	Hb400	/	Hb 400
	Spessore Thickness	8 mm	12,5 mm	6 mm	12 mm	8 mm	20 mm	/	200 x 20 mm

Classe Class	Codice Code	L mm.	Cap. SAE Lt.	Cilindri Cylinders n°	Peso Weight Kg.	RL mm.	P mm.		
T.55 T.60	T60ORZ150	1500	363	2	641	569	427		
	T60ORZ180	1800	442	2	688				
	T60ORZ200	2000	495	2	719				
	T60ORZ220	2200	548	2	759				
12-18 ton		1	2	3	4	5	6	/	7 Optional
	Materiale Material	Fe510	Fe510	Fe510	Fe510	Fe510	Hb400	/	Hb 400
	Spessore Thickness	8 mm	14.2 mm	6 mm	20 mm	8 mm	25 mm	/	200 x 25 mm