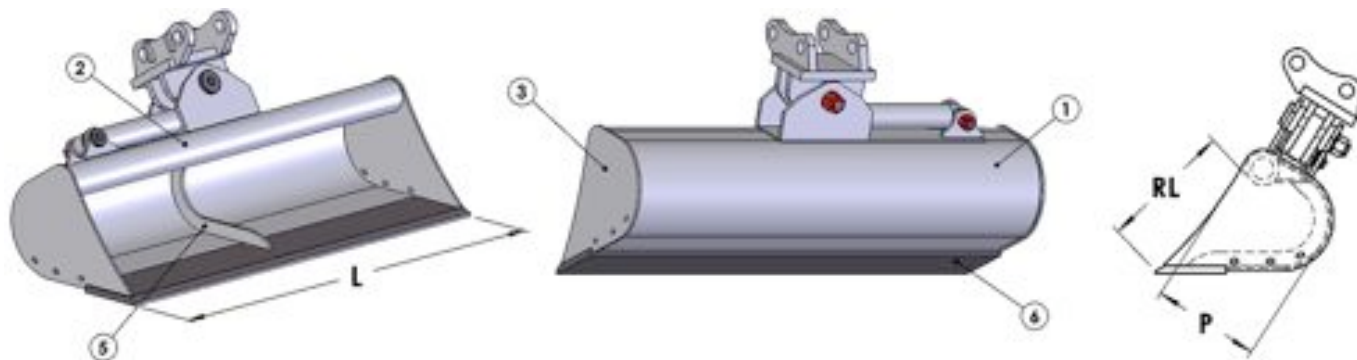


BENNA ORIENTABILE MODELLO ROTONDO per escavatori

SWIVELING BUCKET ROUND PROFILE for excavators



Classe Class	Codice Code	L mm.	Cap. SAE Lt.	Cilindri Cylinders n°	Peso Weight Kg.	RL mm.	P mm.	
T.20	T20ORR085	850	50	1	70	286	250	
	T20ORR090	900	52	1	72			
	T20ORR100	1000	56	1	74			
	T20ORR120	1200	63	1	83			
1,2-1,8 ton		1	2	3	4	5	6	7
	Materiale Material	Hb 150	Hb 150	Hb 250	/	Hb 150	Hb 400	/
	Spessore Thickness	5 mm	60 x 8 mm	5 mm	/	10 mm	150 x 16 mm	/

Classe Class	Codice Code	L mm.	Cap. SAE Lt.	Cilindri Cylinders n°	Peso Weight Kg.	RL mm.	P mm.	
T.25	T25ORR100	1000	85	1	107	360	300	
	T25ORR120	1200	95	1	119			
	T25ORR130	1300	105	1	133			
1,8-2,4 ton		1	2	3	4	5	6	7
	Materiale Material	Hb 150	Hb 150	Hb 250	/	Hb 150	Hb 400	/
	Spessore Thickness	6 mm	60 x 8 mm	8 mm	/	10 mm	150 x 16 mm	/

Classe Class	Codice Code	L mm.	Cap. SAE Lt.	Cilindri Cylinders n°	Peso Weight Kg.	RL mm.	P mm.	
T.30 2,4-2,8 ton	T30ORR110	1100	90	1	152	375	315	
	T30ORR120	1200	100	1	163			
	T30ORR130	1300	120	1	176			
	T30ORR140	1400	130	1	188			
	T30ORR150	1500	140	1	203			
		1	2	3	4	5	6	7
	Materiale Material	Hb 150	Hb 150	Hb 250	/	Hb 150	Hb 400	/
	Spessore Thickness	6 mm	60 x 8 mm	8 mm	/	10 mm	150 x 16 mm	/

Classe Class	Codice Code	L mm.	Cap. SAE Lt.	Cilindri Cylinders n°	Peso Weight Kg.	RL mm.	P mm.	
T.33 2,8-4,0 ton	T33ORR110	1100	179	1	185	455	335	
	T33ORR120	1200	196	1	191			
	T33ORR130	1300	220	1	201			
	T33ORR140	1400	232	1	210			
	T33ORR150	1500	255	1	225			
		1	2	3	4	5	6	7
	Materiale Material	Hb 150	Hb 150	Hb 250	/	Hb 150	Hb 400	/
	Spessore Thickness	8 mm	70 x 10 mm	10 mm	/	10 mm	150 x 20 mm	/