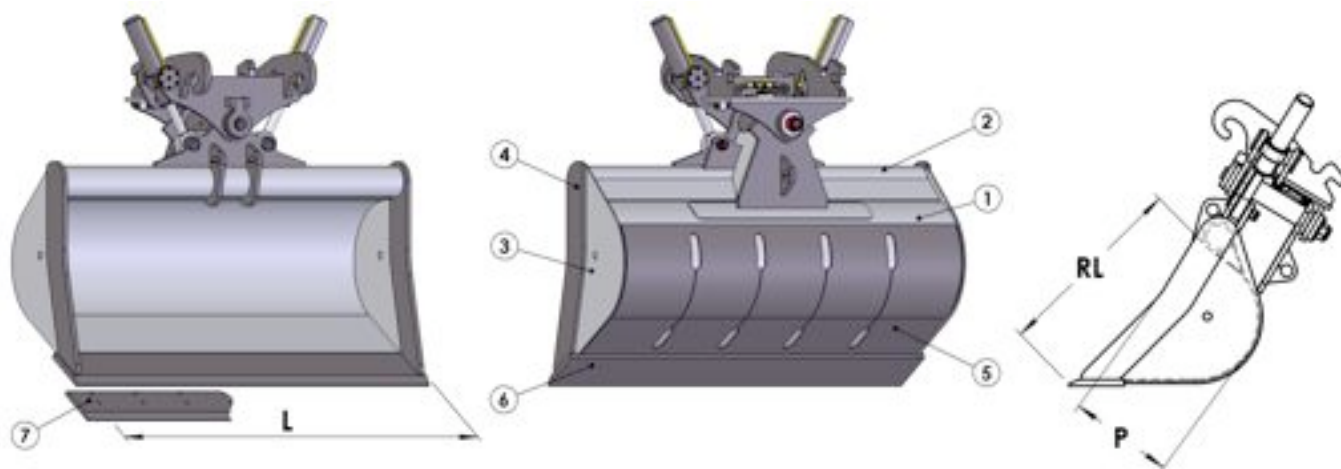


BENNA ORIENTABILE MODELLO OLANDA per escavatori

SWIVELING BUCKET HOLLAND PROFILE for excavators



Classe Class	Codice Code	L mm.	Cap. SAE Lt.	Cilindri Cylinders n°	Peso Weight Kg.	RL mm.	P mm.		
T.68 25-30 ton	T68ORO160	1600	1177	2	1330	1155	625		
	T68ORO180	1800	1350	2	1405				
	T68ORO200	2000	1522	2	1480				
	T68ORO220	2200	1694	2	1555				
	T68ORO240	2400	1867	2	1230				
	T68ORO250	2500	1953	2	1665				
			1	2	3	4	5	6	/
Materiale Material		Fe 510	Fe 510	Fe 510	HARDOX	Fe 510	Hb 400	/	Hb 400
Spessore Thickness		10 mm	20 mm	10 mm	30 mm	10 mm	35 mm	/	300 x 35 mm

Classe Class	Codice Code	L mm.	Cap. SAE Lt.	Cilindri Cylinders n°	Peso Weight Kg.	RL mm.	P mm.		
T.70 30-36 ton	T70ORO160	1600	1330	2	1370	1240	660		
	T70ORO180	1800	1528	2	1450				
	T70ORO200	2000	1725	2	1525				
	T70ORO220	2200	1922	2	1605				
	T70ORO240	2400	2118	2	1685				
	T70ORO250	2500	2216	2	1720				
			1	2	3	4	5	6	/
Materiale Material		Fe 510	Fe 510	Fe 510	HARDOX	Fe 510	Hb 400	/	Hb 400
Spessore Thickness		10 mm	20 mm	10 mm	30 mm	10 mm	35 mm	/	300 x 35 mm