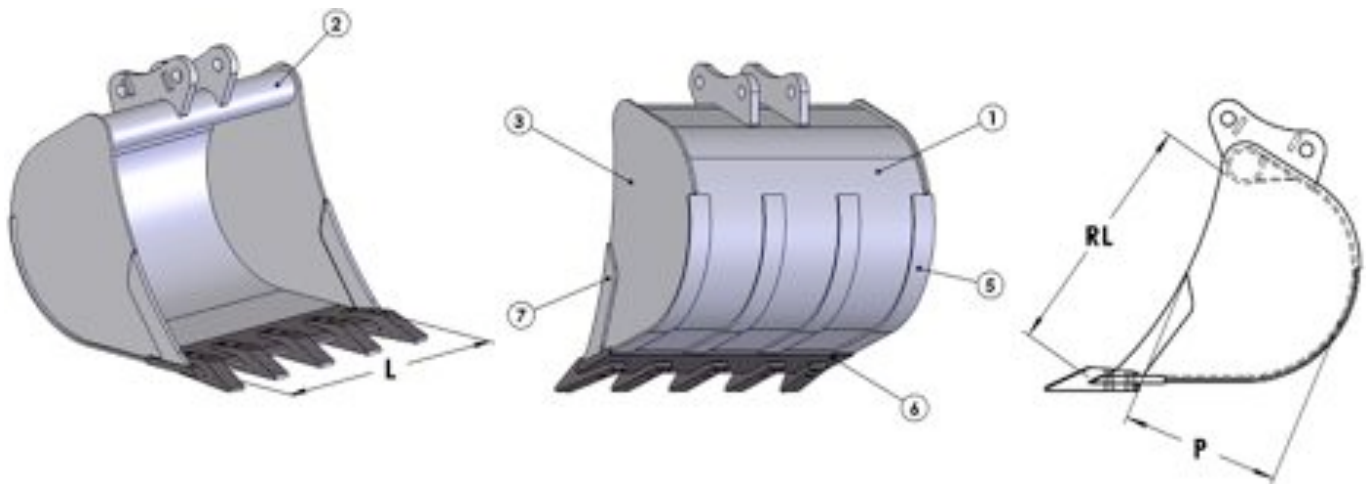


BENNA STANDARD per escavatori da 0,6 a 12 ton

STANDARD BUCKET for excavators from 0,6 to 12 ton



Classe Class	Codice Code	L mm.	Cap. SAE Lt.	Denti Teeth n°	Peso Weight Kg.	RL mm.	P mm.				
T.18 0,6-1,2 ton	T18ST0020	200	12	2	18	330	250				
	T18ST0025	250	15	2	22						
	T18ST0030	300	20	3	24						
	T18ST0035	350	24	3	27						
	T18ST0040	400	30	3	29						
	T18ST0045	450	34	3	32						
	T18ST0050	500	37	4	34						
	T18ST0060	600	46	4	39						
		1	2	3	4			5	6	/	7
	Materiale Material	Hb 150	Hb 150	Hb 250	/			Hb 250	Hb 400	/	Hb 150
Spessore Thickness	5 mm	60 x 8 mm	5 mm	/	50 x 6 mm	16 mm	/	5 mm			

Classe Class	Codice Code	L mm.	Cap. SAE Lt.	Denti Teeth n°	Peso Weight Kg.	RL mm.	P mm.		
T.20 1,2-1,8 ton	T20ST0020	200	15	2	28	380	265		
	T20ST0025	250	20	2	32				
	T20ST0030	300	25	3	34				
	T20ST0035	350	30	3	36				
	T20ST0040	400	36	3	41				
	T20ST0045	450	42	3	44				
	T20ST0050	500	47	4	46				
	T20ST0060	600	58	4	53				
	T20ST0070	700	69	5	60				
		1	2	3	4			5	6
Materiale Material	Hb 150	Hb 150	Hb 250	/	Hb 250	Hb 400	/	Hb 150	
Spessore Thickness	5 mm	60 x 8 mm	6 mm	/	50 x 6 mm	16 mm	/	5 mm	

Classe Class	Codice Code	L mm.	Cap. SAE Lt.	Denti Teeth n°	Peso Weight Kg.	RL mm.	P mm.		
T.25 1,8-2,4 ton	T25ST0025	250	27	2	40	465	280		
	T25ST0030	300	34	3	43				
	T25ST0035	350	41	3	45				
	T25ST0040	400	49	3	49				
	T25ST0045	450	56	3	51				
	T25ST0050	500	64	4	54				
	T25ST0060	600	79	4	62				
	T25ST0070	700	95	5	67				
	T25ST0080	800	110	5	71				
		1	2	3	4			5	6
Materiale Material	Hb 150	Hb 150	Hb 250	/	Hb 250	Hb 400	/	Hb 150	
Spessore Thickness	6 mm	60 x 8 mm	6 mm	/	50 x 6 mm	16 mm	/	5 mm	

Classe Class	Codice Code	L mm	Cap. SAE Lt.	Denti Teeth n°	Peso Weight Kg	RL mm.	P mm.		
T.30 2,4-2,8 Ton	T30ST0025	250	33	2	48	510	350		
	T30ST0030	300	42	3	53				
	T30ST0035	350	49	3	56				
	T30ST0040	400	59	3	60				
	T30ST0045	450	69	3	66				
	T30ST0050	500	78	4	72				
	T30ST0060	600	97	4	80				
	T30ST0070	700	115	5	85				
	T30ST0080	800	134	5	90				
		1	2	3	4			5	6
Materiale Material	Hb 150	Hb 150	Hb 250	/	Hb 250	Hb 400	/	Hb 150	
Spessore Thickness	6 mm	60 x 8 mm	8 mm	/	50 x 6 mm	16 mm	/	6 mm	

Classe Class	Codice Code	L mm.	Cap. SAE Lt.	Denti Teeth n°	Peso Weight Kg.	RL mm.	P mm.		
T.33 2,8-4,0 ton	T33ST0025	250	34	2	56	535	350		
	T33ST0030	300	43	3	60				
	T33ST0035	350	51	3	63				
	T33ST0040	400	61	3	66				
	T33ST0045	450	71	3	70				
	T33ST0050	500	81	4	77				
	T33ST0060	600	100	4	84				
	T33ST0070	700	119	5	96				
	T33ST0080	800	139	5	112				
	T33ST0090	900	159	5	120				
		1	2	3	4			5	6
Materiale Material	Hb 150	Hb 150	Hb 250	/	Hb 250	Hb 400	/	Hb 150	
Spessore Thickness	6 mm	70 x 10 mm	8 mm	/	50 x 6 mm	20 mm	/	6 mm	