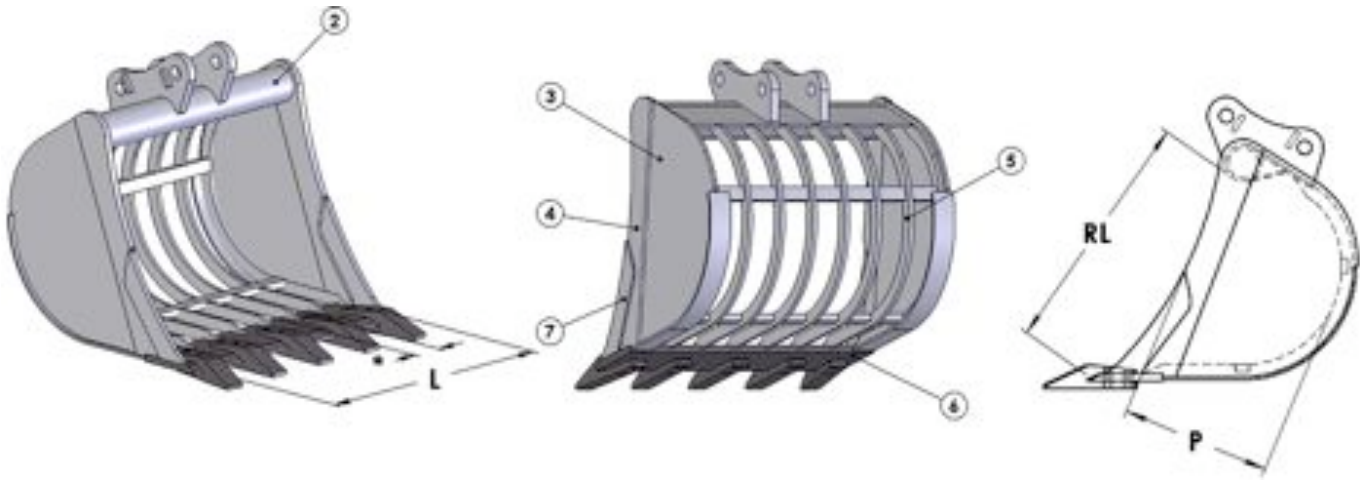


BENNA GRIGLIATA per escavatori

SKELETON BUCKET for excavators



Classe Class	Codice Code	L mm.	Cap. SAE Lt.	Denti Teeth n°	Peso Weight Kg.	RL mm.	P mm.		
T.48 7,0-9,0 ton	T48GR0050	500	177	3	242	800	570		
	T48GR0060	600	224	4	264				
	T48GR0070	700	271	4	280				
	T48GR0080	800	316	4	295				
	T48GR0090	900	363	5	312				
	T48GR0100	1000	412	5	358				
		1	2	3	4	5	6	/	7
	Materiale Material	/	Hb 150	Hb 250	Hb 250	Hb 150	Hb 400	/	Hb 150
Spessore Thickness	/	114 x 12 mm	8 mm	20 mm	25 mm	25 mm	/	8 mm	

Classe Class	Codice Code	L mm.	Cap. SAE Lt.	Denti Teeth n°	Peso Weight Kg.	RL mm.	P mm.		
T.50 9,0-12 ton	T50GR0050	500	177	3	282	835	550		
	T50GR0060	600	224	4	308				
	T50GR0070	700	271	4	326				
	T50GR0080	800	316	4	344				
	T50GR0090	900	363	4	365				
	T50GR0100	1000	412	5	418				
		1	2	3	4	5	6	/	7
	Materiale Material	/	Hb 150	Hb 250	Hb 250	Hb 250	Hb 400	/	Hb 150
Spessore Thickness	/	114 x 12 mm	10 mm	25 mm	25 mm	25 mm	/	8 mm	