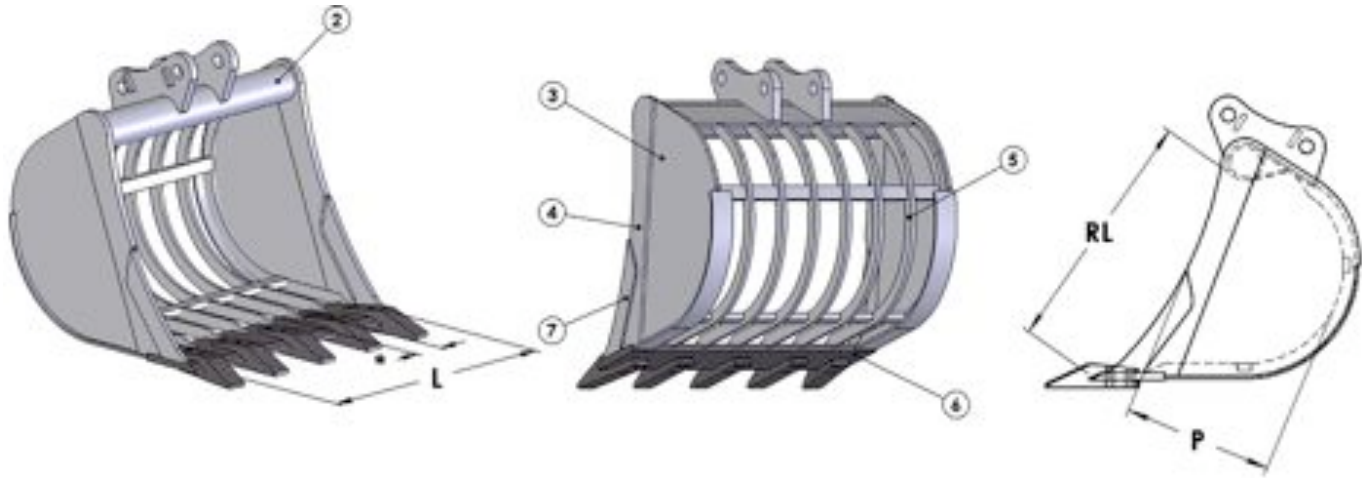


# BENNA GRIGLIATA per escavatori

## SKELETON BUCKET for excavators



Classe Class	Codice Code	L mm.	Cap. SAE Lt.	Denti Teeth n°	Peso Weight Kg.	RL mm.	P mm.		
<b>T.35</b> 4,0-5,0 Ton	T35GR0050	500	109	3	160	600	470		
	T35GR0060	600	136	4	166				
	T35GR0070	700	164	4	182				
	T35GR0080	800	192	4	195				
	T35GR0090	900	220	5	209				
		<b>1</b>	<b>2</b>	<b>3</b>	<b>4</b>			<b>5</b>	<b>6</b>
	<b>Materiale Material</b>	/	Hb 150	Hb 250	Hb 250	Hb 150	Hb 400	/	Hb 150
<b>Spessore Thickness</b>	/	89 x 10 mm	6 mm	15 mm	20 mm	20 / 25 mm	/	6 mm	

Classe Class	Codice Code	L mm.	Cap. SAE Lt.	Denti Teeth n°	Peso Weight Kg.	RL mm.	P mm.		
<b>T.45</b> 5,0-7,0 ton	T45GR0050	500	145	3	176	710	470		
	T45GR0060	600	182	4	190				
	T45GR0070	700	220	4	212				
	T45GR0080	800	258	4	230				
	T45GR0090	900	296	5	242				
	T45GR0100	1000	335	5	260				
		<b>1</b>	<b>2</b>	<b>3</b>	<b>4</b>	<b>5</b>	<b>6</b>	<b>/</b>	<b>7</b>
<b>Materiale Material</b>	/	Hb 150	Hb 250	Hb 250	Hb 150	Hb 400	/	Hb 150	
<b>Spessore Thickness</b>	/	101 x 18 mm	8 mm	20 mm	20 mm	25 mm	/	8 mm	