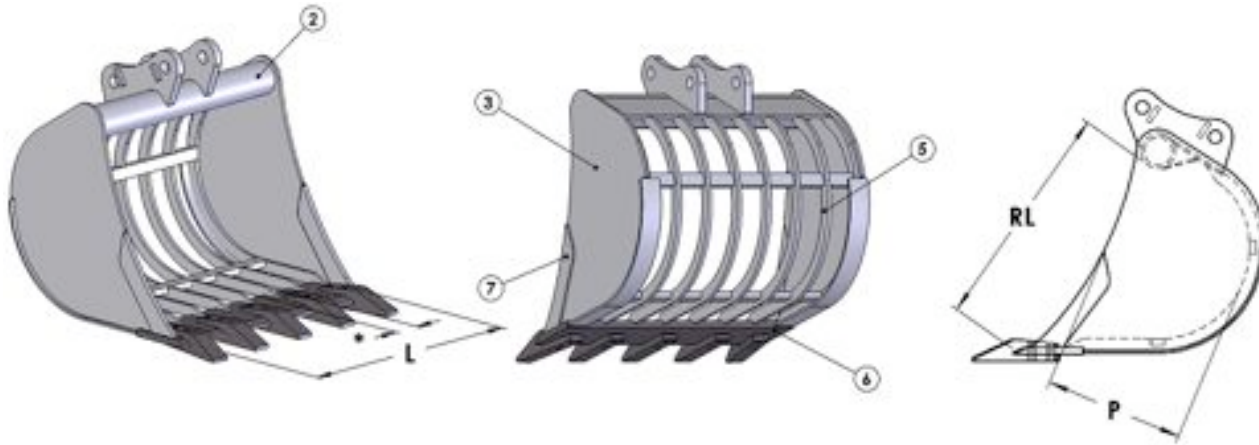


# BENNA GRIGLIATA per escavatori

## SKELETON BUCKET for excavators



Classe Class	Codice Code	L mm.	Cap. SAE Lt.	Denti Teeth n°	Peso Weight Kg.	RL mm.	P mm.		
<b>T.30</b> 2,4-2,8 Ton	T30GR0045	450	69	3	80	510	350		
	T30GR0050	500	78	4	88				
	T30GR0060	600	97	4	98				
	T30GR0070	700	115	5	105				
	T30GR0080	800	134	5	110				
		<b>1</b>	<b>2</b>	<b>3</b>	<b>4</b>	<b>5</b>	<b>6</b>	<b>/</b>	<b>7</b>
	<b>Materiale Material</b>	/	Hb 150	Hb 250	/	Hb 150	Hb 400	/	Hb 150
<b>Spessore Thickness</b>	/	60 x 8 mm	8 mm	/	15 mm	16 mm	/	6 mm	

Classe Class	Codice Code	L mm.	Cap. SAE Lt.	Denti Teeth n°	Peso Weight Kg.	RL mm.	P mm.		
<b>T.33</b> 2,8-4,0 ton	T33GR0045	450	71	3	86	535	350		
	T33GR0050	500	81	4	92				
	T33GR0060	600	100	4	98				
	T33GR0070	700	119	5	115				
	T33GR0080	800	139	5	132				
		<b>1</b>	<b>2</b>	<b>3</b>	<b>4</b>	<b>5</b>	<b>6</b>	<b>/</b>	<b>7</b>
	<b>Materiale Material</b>	/	Hb 150	Hb 250	/	Hb 150	Hb 400	/	Hb 150
<b>Spessore Thickness</b>	/	70 x 10 mm	8 mm	/	15 mm	20 mm	/	6 mm	