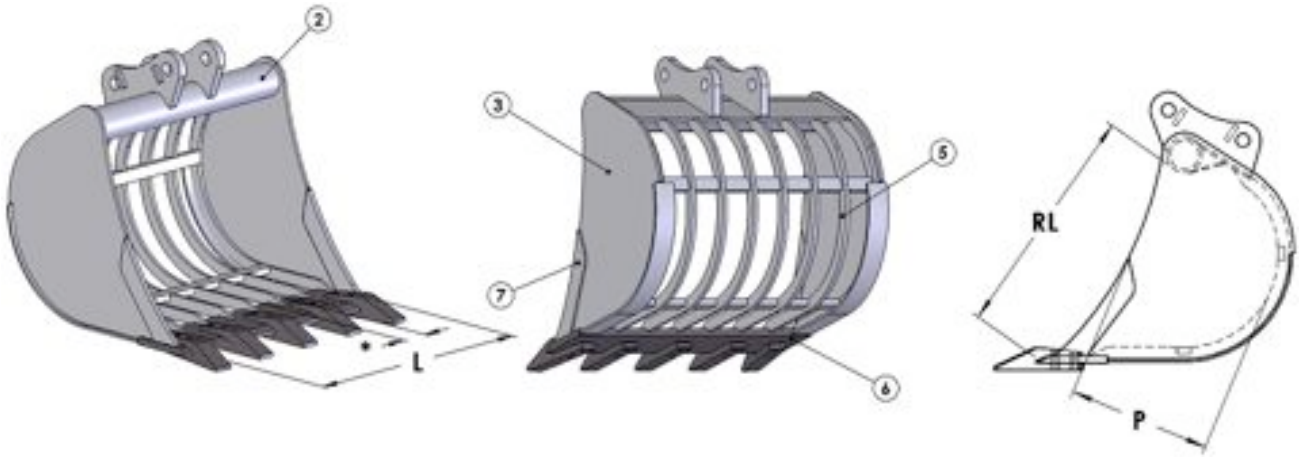


# BENNA GRIGLIATA per escavatori

## SKELETON BUCKET for excavators



Classe Class	Codice Code	L mm.	Cap. SAE Lt.	Denti Teeth n°	Peso Weight Kg.	RL mm.	P mm.		
<b>T.20</b>	T20GR0045	450	42	3	54	380	265		
	T20GR0050	500	47	4	56				
	T20GR0060	600	58	4	65				
	T20GR0070	700	69	5	74				
		<b>1</b>	<b>2</b>	<b>3</b>	<b>4</b>			<b>5</b>	<b>6</b>
<b>1,2-1,8 ton</b>	<b>Materiale Material</b>	/	Hb 150	Hb 250	/	Hb 150	Hb 400	/	Hb 150
	<b>Spessore Thickness</b>	/	60 x 8 mm	6mm	/	15 mm	16 mm	/	5 mm

Classe Class	Codice Code	L mm.	Cap. SAE Lt.	Denti Teeth n°	Peso Weight Kg.	RL mm.	P mm.		
<b>T.25</b>	T25GR0045	450	56	3	67	465	280		
	T25GR0050	500	64	4	72				
	T25GR0060	600	79	4	82				
	T25GR0070	700	95	5	91				
	T25GR0080	800	110	5	113				
<b>1,8-2,4 ton</b>		<b>1</b>	<b>2</b>	<b>3</b>	<b>4</b>	<b>5</b>	<b>6</b>	<b>/</b>	<b>7</b>
	<b>Materiale Material</b>	/	Hb 150	Hb 250	/	Hb 150	Hb 400	/	Hb 150
	<b>Spessore Thickness</b>	/	60 x 8 mm	6 mm	/	15 mm	16 mm	/	5 mm