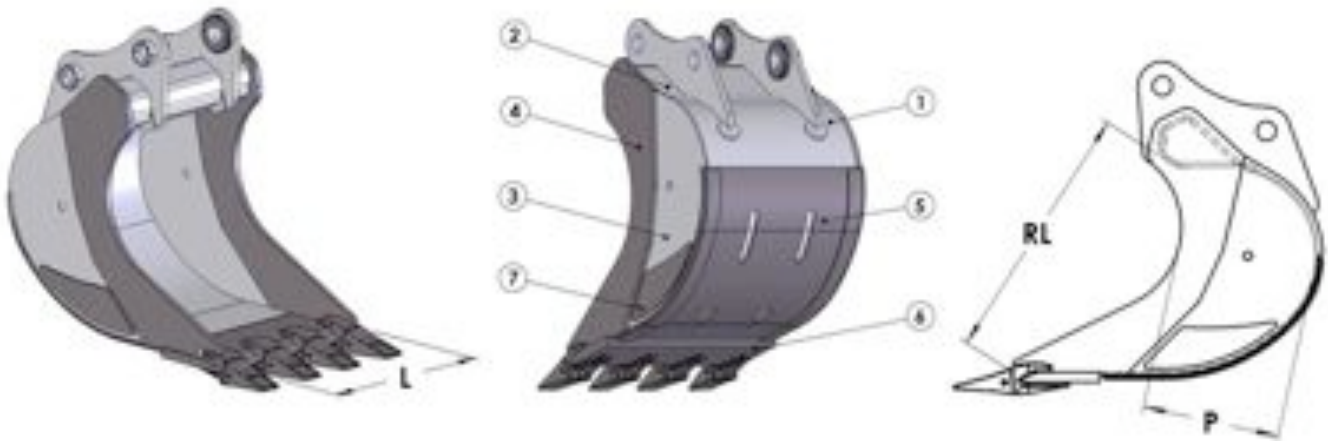


ROCK BUCKET for excavators



Class Class	Codice Code	L mm.	Cap. SAE Lt.	Denti Teeth n°	Peso Weight Kg.	RL mm.	P mm.		
T.55 12-16 ton	T55RK0040	400	153	3	318	915	525		
	T55RK0050	500	210	3	350				
	T55RK0060	600	271	3	382				
	T55RK0070	700	341	3	425				
	T55RK0080	800	405	4	466				
	T55RK0100	1000	534	4	535				
	T55RK0110	1100	600	5	584				
		1	2	3	4	5	6	/	7
Materiale Material	Fe510	Fe510	Fe510	Hardox	Hb400	Hardox	/	Hardox	
Spessore Thickness	10 mm	18 mm	10 mm	20 mm	8 mm	30 mm	/	10 mm	

Class Class	Codice Code	L mm.	Cap. SAE Lt.	Denti Teeth n°	Peso Weight Kg.	RL mm.	P mm.		
T.60 16-18 ton	T60RK0050	500	240	3	406	1031	561		
	T60RK0060	600	312	3	439				
	T60RK0070	700	387	4	482				
	T60RK0080	800	491	4	535				
	T60RK0100	1000	650	5	611				
	T60RK0120	1200	811	6	693				
		1	2	3	4			5	6
	Materiale Material	Fe510	Fe510	Fe510	Hardox	Hardox	Hb400	/	Hardox
Spessore Thickness	10 mm	18 mm	10 mm	25 mm	8 mm	30 mm	/	12 mm	

Classe Class	Codice Code	L mm.	Cap. SAE Lt.	Denti Teeth n°	Peso Weight Kg.	RL mm.	P mm.		
T.65 18-22 ton	T65RK0050	500	291	3	499	1120	605		
	T65RK0060	600	378	3	544				
	T65RK0070	700	468	3	589				
	T65RK0080	800	595	4	670				
	T65RK0100	1000	786	4	764				
	T65RK0120	1200	981	5	866				
	T65RK0130	1300	1080	5	911				
		1	2	3	4	5	6	/	7
	Materiale Material	Fe510	Fe510	Fe510	Hardox	Hardox	Hb400	/	Hardox
	Spessore Thickness	12 mm	18 mm	12 mm	25 mm	10 mm	40 mm	/	12 mm

Classe Class	Codice Code	L mm.	Cap. SAE Lt.	Denti Teeth n°	Peso Weight Kg.	RL mm.	P mm.		
T.66 22-25 ton	T66RK0050	500	316	3	560	1192	654		
	T66RK0060	600	411	3	607				
	T66RK0070	700	509	3	654				
	T66RK0080	800	647	4	740				
	T66RK0100	1000	857	4	833				
	T66RK0120	1200	1072	5	936				
	T66RK0130	1300	1180	5	984				
		1	2	3	4	5	6	/	7
	Materiale Material	Fe510	Fe510	Fe510	Hardox	Hardox	Hb400	/	Hardox
	Spessore Thickness	12 mm	18 mm	12 mm	30 mm	10 mm	40 mm	/	15 mm

Classe Class	Codice Code	L mm.	Cap. SAE Lt.	Denti Teeth n°	Peso Weight Kg.	RL mm.	P mm.		
T.68 25-30 ton	T68RK0070	700	636	3	869	1219	688		
	T68RK0080	800	804	4	973				
	T68RK0100	1000	1064	4	1094				
	T68RK0120	1200	1332	4	1215				
	T68RK0135	1350	1536	5	1328				
	T68RK0150	1500	1740	5	1415				
	T68RK160	1600	1850	5	1469				
		1	2	3	4	5	6	/	7
	Materiale Material	Fe510	Fe510	Fe510	Hardox	Hardox	Hardox	/	Hardox
	Spessore Thickness	12 mm	20 mm	12 mm	35 mm	10 mm	50 mm	/	15 mm