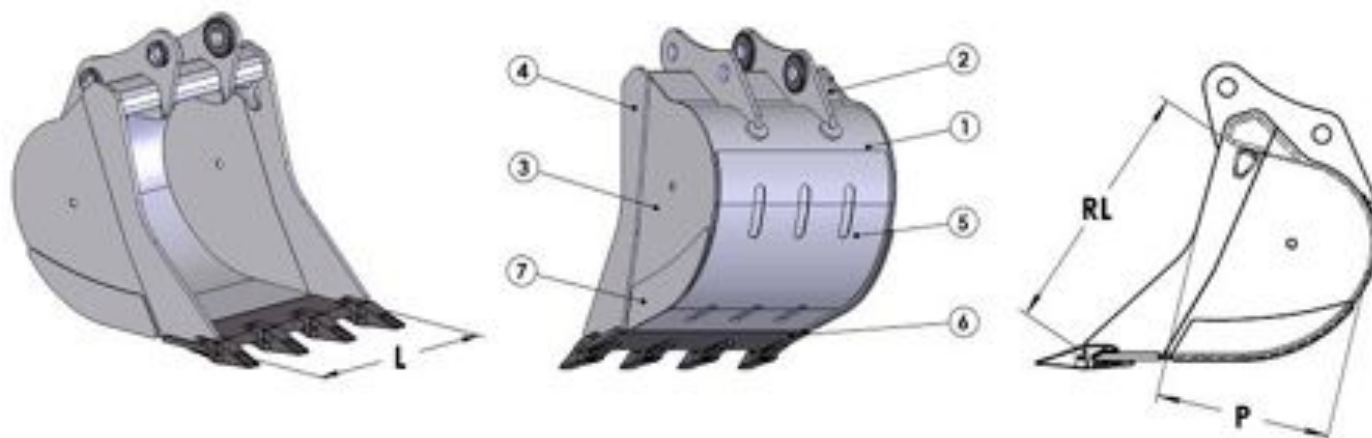


BENNA RINFORZATA per escavatori da 12 a 70 ton

REINFORCED BUCKET for excavators from 12 to 70 ton



Classe Class	Codice Code	L mm.	Cap. SAE Lt.	Denti Teeth n°	Peso Weight Kg.	RL mm.	P mm.		
T.55 12-16 Ton	T55STR040	400	152	3	279	934	592		
	T55STR050	500	214	3	305				
	T55STR060	600	275	3	332				
	T55STR070	700	346	4	372				
	T55STR080	800	412	4	398				
	T55STR100	1000	544	5	459				
	T55STR110	1100	611	5	485				
	T55STR120	1200	677	5	510				
	T55STR130	1300	774	5	541				
	T55STR140	1400	811	6	572				
		1	2	3	4	5	6	7	7
	Materiale Material	Fe510	Fe510	Fe510	Hardox	Hardox	Hb400	/	Fe510
	Spessore Thickness	8 mm	12 mm	8 mm	20 mm	8 mm	30 mm	/	8 mm

Classe Class	Codice Code	L mm.	Cap. SAE Lt.	Denti Teeth n°	Peso Weight Kg.	RL mm.	P mm.		
T.60 16-18 ton	T60STR040	400	182	3	338	1004	653		
	T60STR050	500	252	3	370				
	T60STR060	600	324	3	401				
	T60STR070	700	410	4	454				
	T60STR080	800	486	4	484				
	T60STR100	1000	643	5	561				
	T60STR110	1100	724	5	593				
	T60STR120	1200	802	5	625				
	T60STR130	1300	881	5	665				
	T60STR140	1400	960	6	701				
		1	2	3	4	5	6	7	7
	Materiale Material	Fe510	Fe510	Fe510	Hardox	Hardox	Hb400	/	Fe510
	Spessore Thickness	8 mm	18 mm	8 mm	20 mm	8 mm	30 mm	/	10 mm

Classe Class	Codice Code	L mm.	Cap. SAE Lt.	Denti Teeth n°	Peso Weight Kg.	RL mm.	P mm.		
T.65 18-22 Ton	T65STR050	500	279	3	463	1088	714		
	T65STR060	600	363	3	503				
	T65STR070	700	450	3	543				
	T65STR080	800	570	4	618				
	T65STR100	1000	754	4	698				
	T65STR120	1200	940	5	796				
	T65STR130	1300	1034	5	836				
	T65STR140	1400	1128	5	876				
	T65STR150	1500	1221	5	927				
	T65STR160	1600	1315	6	973				
		1	2	3	4	5	6	7	/
Materiale Material	Fe510	Fe510	Fe510	Hardox	Hardox	Hb400	/	Fe510	
Spessore Thickness	10 mm	18 mm	8 mm	25 mm	10 mm	35 mm	/	8 mm	

Classe Class	Codice Code	L mm.	Cap. SAE Lt.	Denti Teeth n°	Peso Weight Kg.	RL mm.	P mm.		
T.66 22-25 ton	T66STR050	500	320	3	515	1153	789		
	T66STR060	600	415	3	557				
	T66STR070	700	513	3	600				
	T66STR080	800	653	4	678				
	T66STR100	1000	862	4	763				
	T66STR120	1200	1075	5	865				
	T66STR130	1300	1183	5	907				
	T66STR140	1400	1290	5	949				
	T66STR150	1500	1398	5	1003				
	T66STR160	1600	1505	6	1051				
		1	2	3	4	5	6	7	/
Materiale Material	Fe510	Fe510	Fe510	Hardox	Hardox	Hb400	/	Fe510	
Spessore Thickness	10 mm	18 mm	10 mm	25 mm	10 mm	35 mm	/	10 mm	