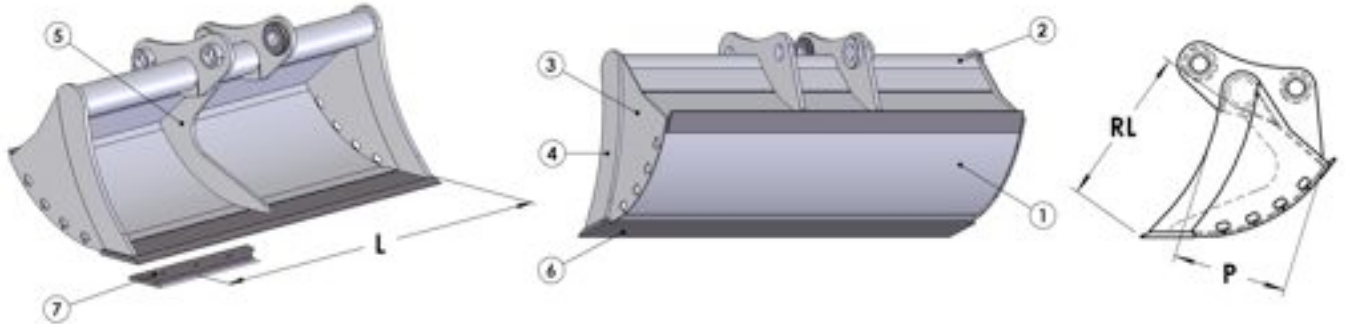


BENNA PULIZIA FOSSI MODELLO A ZAPPA per escavatori

DITCH CLEANING BUCKET SQUARED PROFILE for excavators



| Classe Class | Codice Code | L mm. | Cap. SAE Lt. | Peso Weight Kg. | RL mm. | P mm. | | | |
|-------------------------------------|-------------------------------|----------|-----------------|-----------------------|-----------|----------|-------------|----------|-------------------|
| T.66 22-25 ton | T66PFZ180 | 1800 | 717 | 513 | 747 | 511 | | | |
| | T66PFZ200 | 2000 | 805 | 552 | | | | | |
| | T66PFZ220 | 2200 | 892 | 592 | | | | | |
| | T66PFZ240 | 2400 | 980 | 631 | | | | | |
| | T66PFZ250 | 2500 | 1023 | 651 | | | | | |
| | | | 1 | 2 | 3 | 4 | 5 | 6 | 7 Optional |
| | Materiale Material | Fe510 | Fe510 | Fe510 | Fe510 | Fe510 | Hb400 | Hb400 | |
| Spessore Thickness | 8 mm | 16 mm | 8 mm | 25 mm | 20 mm | 25 mm | 250 x 25 mm | | |

| Classe Class | Codice Code | L mm. | Cap. SAE Lt. | Peso Weight Kg. | RL mm. | P mm. | | | |
|--|-------------------------------|----------|-----------------|-----------------------|-----------|----------|-------------|----------|-------------------|
| T.68 T.70 25-36 ton | T68PFZ180 | 1800 | 937 | 731 | 861 | 593 | | | |
| | T68PFZ200 | 2000 | 1052 | 787 | | | | | |
| | T68PFZ220 | 2200 | 1168 | 843 | | | | | |
| | T68PFZ240 | 2400 | 1283 | 899 | | | | | |
| | T68PFZ250 | 2500 | 1340 | 926 | | | | | |
| | | | 1 | 2 | 3 | 4 | 5 | 6 | 7 Optional |
| | Materiale Material | Fe510 | Fe510 | Fe510 | Fe510 | Fe510 | Hb400 | Hb400 | |
| Spessore Thickness | 10 mm | 20 mm | 10 mm | 30 mm | 10 mm | 30 mm | 300 x 30 mm | | |