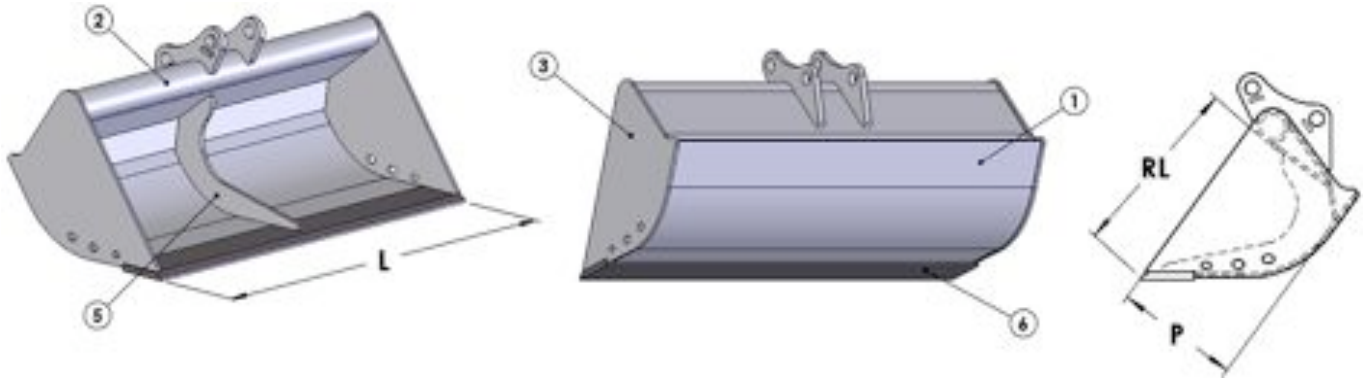


BENNA PULIZIA FOSSI MODELLO A ZAPPA per escavatori

DITCH CLEANING BUCKET SQUARED PROFILE for excavators



Classe Class	Codice Code	L mm.	Cap. SAE Lt.	Denti Teeth n°	Peso Weight Kg.	RL mm.	P mm.	
T.35 4,0-5,0 ton	T35PFZ120	1200	184	/	190	515	340	
	T35PFZ130	1300	220	/	201			
	T35PFZ140	1400	232	/	224			
	T35PFZ150	1500	255	/	247			
		1	2	3	4	5	6	7
	Materiale Material	Hb 150	Hb 150	Hb 250	/	Hb 150	Hb 400	/
	Spessore Thickness	8 mm	89 x 10 mm	10 mm	/	12 mm	150 x 20 mm	/

Classe Class	Codice Code	L mm.	Cap. SAE Lt.	Denti Teeth n°	Peso Weight Kg.	RL mm.	P mm.	
T.45 5,0-7,0 ton	T45PFZ120	1200	215	/	205	515	345	
	T45PFZ130	1300	235	/	220			
	T45PFZ140	1400	255	/	238			
	T45PFZ150	1500	275	/	252			
	T45PFZ160	1600	295	/	265			
		1	2	3	4	5	6	7
	Materiale Material	Hb 150	Hb 150	Hb 250	/	Hb 150	Hb 400	/
Spessore Thickness	8 mm	101 x 10 mm	10 mm	/	12 mm	200 x 20 mm	/	