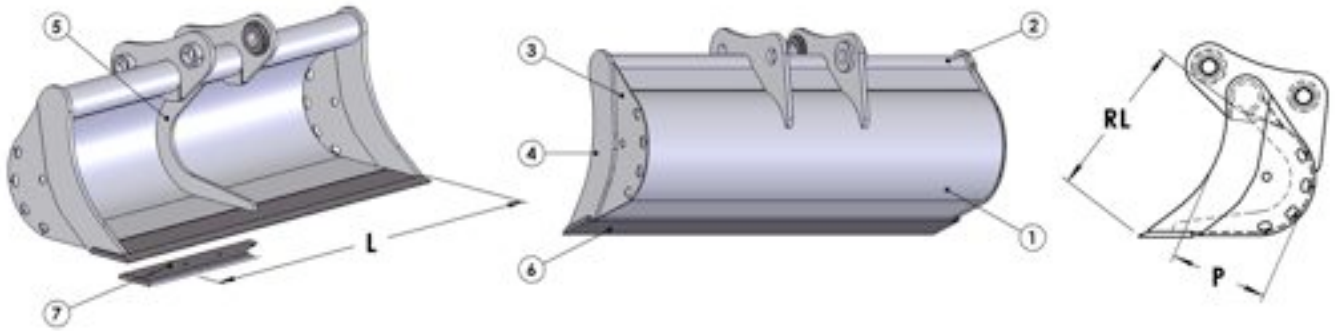


BENNA PULIZIA FOSSI MODELLO ROTONDO per escavatori

DITCH CLEANING BUCKET for excavators ROUND PROFILE



Classe Class	Codice Code	L mm.	Cap. SAE Lt.	Peso Weight Kg.	RL mm.	P mm.		
T.48 T.50	T50PFR140	1400	287	217	531	337		
	T50PFR150	1500	310	229				
	T50PFR160	1600	332	241				
	T50PFR180	1800	377	265				
	T50PFR200	2000	422	289				
7,0-12 ton		1	2	3	4	5	6	7 Optional
	Materiale Material	Fe510	Fe510	Fe510	Fe510	Fe510	Hb400	Hb400
	Spessore Thickness	8 mm	12.5 mm	6 mm	12 mm	15 mm	20 mm	200 x 20 mm

Classe Class	Codice Code	L mm.	Cap. SAE Lt.	Peso Weight Kg.	RL mm.	P mm.		
T.55 T.60	T55PFR150	1500	353	305	570	345		
	T55PFR180	1800	431	347				
	T55PFR200	2000	483	374				
	T55PFR220	2200	534	402				
12-18 ton		1	2	3	4	5	6	7 Optional
	Materiale Material	Fe510	Fe510	Fe510	Fe510	Fe510	Hb400	Hb400
	Spessore Thickness	8 mm	14.2 mm	6 mm	20 mm	15 mm	25 mm	200 x 25 mm

Classe Class	Codice Code	L mm.	Cap. SAE Lt.	Peso Weight Kg.	RL mm.	P mm.		
T.65 18-22 ton	T65PFR180	1800	554	416	650	381		
	T65PFR200	2000	620	447				
	T65PFR220	2200	687	477				
	T65PFR240	2400	750	507				
	T65PFR250	2500	783	522				
		1	2	3	4	5	6	7 Optional
	Materiale Material	Fe510	Fe510	Fe510	Fe510	Fe510	Hb400	Hb400
	Spessore Thickness	8 mm	14.2 mm	8 mm	25 mm	20 mm	25 mm	200 x 25 mm

Classe Class	Codice Code	L mm.	Cap. SAE Lt.	Peso Weight Kg.	RL mm.	P mm.		
T.66 22-25 ton	T66PFR180	1800	738	489	750	460		
	T66PFR200	2000	828	526				
	T66PFR220	2200	917	562				
	T66PFR240	2400	1007	598				
	T66PFR250	2500	1052	617				
		1	2	3	4	5	6	7 Optional
	Materiale Material	Fe510	Fe510	Fe510	Fe510	Fe510	Hb400	Hb400
	Spessore Thickness	8 mm	16 mm	8 mm	25 mm	20 mm	25 mm	250 x 25 mm

Classe Class	Codice Code	L mm.	Cap. SAE Lt.	Peso Weight Kg.	RL mm.	P mm.		
T.68 T.70 25-36 ton	T68PFR180	1800	956	703	860	529		
	T68PFR200	2000	1074	756				
	T68PFR220	2200	1191	808				
	T68PFR240	2400	1309	861				
	T68PFR250	2500	1366	887				
		1	2	3	4	5	6	7 Optional
	Materiale Material	Fe510	Fe510	Fe510	Fe510	Fe510	Hb400	Hb400
	Spessore Thickness	10 mm	20 mm	10 mm	30 mm	25 mm	30 mm	300 x 30 mm