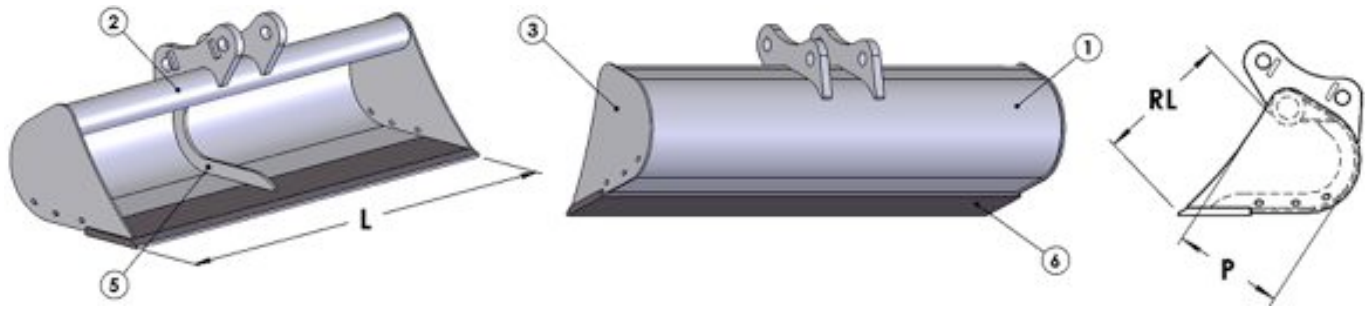


# BENNA PULIZIA FOSSI MODELLO ROTONDO per escavatori

## DITCH CLEANING BUCKET ROUND PROFILE for excavators



Classe Class	Codice Code	L mm.	Cap. SAE Lt.	Denti Teeth n°	Peso Weight Kg.	RL mm.	P mm.	
<b>T.18</b> <b>0,6-1,2 ton</b>	T18PFR060	600	40	/	25	286	250	
	T18PFR070	700	44	/	30			
	T18PFR080	800	48	/	35			
		<b>1</b>	<b>2</b>	<b>3</b>	<b>4</b>	<b>5</b>	<b>6</b>	<b>7</b>
	<b>Materiale Material</b>	Hb 150	Hb 150	Hb 250	/	Hb 150	Hb 400	/
	<b>Spessore Thickness</b>	5 mm	60 x 8 mm	5 mm	/	8 mm	150 x 16 mm	/

Classe Class	Codice Code	L mm.	Cap. SAE Lt.	Denti Teeth n°	Peso Weight Kg.	RL mm.	P mm.	
<b>T.20</b> <b>1,2-1,8 ton</b>	T20PFR080	800	48	/	53	286	250	
	T20PFR090	900	52	/	58			
	T20PFR100	1000	56	/	62			
	T20PFR120	1200	63	/	66			
		<b>1</b>	<b>2</b>	<b>3</b>	<b>4</b>	<b>5</b>	<b>6</b>	<b>7</b>
	<b>Materiale Material</b>	Hb 150	Hb 150	Hb 250	/	Hb 150	Hb 400	/
<b>Spessore Thickness</b>	5 mm	60 x 8 mm	5 mm	/	10 mm	150 x 16 mm	/	

Classe Class	Codice Code	L mm.	Cap. SAE Lt.	Denti Teeth n°	Peso Weight Kg.	RL mm.	P mm.	
<b>T.25</b> <b>1,8-2,4 ton</b>	T25PFR100	1000	95	/	83	360	300	
	T25PFR110	1100	105	/	90			
	T25PFR120	1200	115	/	94			
	T25PFR130	1300	125	/	106			
	T25PFR140	1400	135	/	115			
	T25PFR150	1500	145	/	126			
		<b>1</b>	<b>2</b>	<b>3</b>	<b>4</b>	<b>5</b>	<b>6</b>	<b>7</b>
	<b>Materiale Material</b>	Hb 150	Hb 150	Hb 250	/	Hb 150	Hb 400	/
<b>Spessore Thickness</b>	6 mm	60 x 8 mm	8 mm	/	10 mm	150 x 16 mm	/	

<b>Classe Class</b>	<b>Codice Code</b>	<b>L mm.</b>	<b>Cap. SAE Lt.</b>	<b>Denti Teeth n°</b>	<b>Peso Weight Kg.</b>	<b>RL mm.</b>	<b>P mm.</b>	
<b>T.30 2,4-2,8 ton</b>	T30PFR100	1000	100	/	108	375	315	
	T30PFR110	1100	110	/	117			
	T30PFR120	1200	120	/	128			
	T30PFR130	1300	130	/	141			
	T30PFR140	1400	140	/	153			
	T30PFR150	1500	150	/	168			
		<b>1</b>	<b>2</b>	<b>3</b>	<b>4</b>	<b>5</b>	<b>6</b>	<b>7</b>
	<b>Materiale Material</b>	Hb 150	Hb 150	Hb 250	/	Hb 150	Hb 400	/
<b>Spessore Thickness</b>	6 mm	60 x 8 mm	8 mm	/	10 mm	150 x 16 mm	/	

<b>Classe Class</b>	<b>Codice Code</b>	<b>L mm.</b>	<b>Cap. SAE Lt.</b>	<b>Denti Teeth n°</b>	<b>Peso Weight Kg.</b>	<b>RL mm.</b>	<b>P mm.</b>	
<b>T.33 2,8-4,0 ton</b>	T33PFR100	1000	162	/	138	455	335	
	T33PFR110	1100	179	/	150			
	T33PFR120	1200	196	/	156			
	T33PFR130	1300	220	/	166			
	T33PFR140	1400	232	/	175			
	T33PFR150	1500	255	/	190			
		<b>1</b>	<b>2</b>	<b>3</b>	<b>4</b>	<b>5</b>	<b>6</b>	<b>7</b>
	<b>Materiale Material</b>	Hb 150	Hb 150	Hb 250	/	Hb 150	Hb 400	/
<b>Spessore Thickness</b>	8 mm	70 x 10 mm	10 mm	/	10 mm	150 x 20 mm	/	