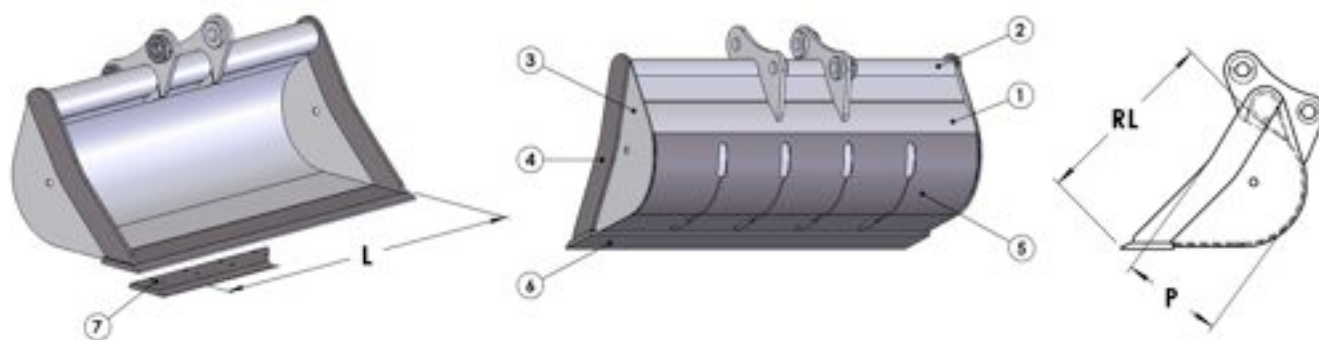


BENNA PULIZIA FOSSI MODELLO OLANDA per escavatori

DITCH CLEANING BUCKET HOLLAND PROFILE for excavators



Classe Class	Codice Code	L mm.	Cap. SAE Lt.	Peso Weight Kg.	RL mm.	P mm.		
T.45 5,0-7,0 ton	T45PFO140	1400	288	228	588	323		
	T45PFO150	1500	310	241				
	T45PFO160	1600	334	253				
		1	2	3	4	5	6	7 Optional
	Materiale Material	Fe510	Fe510	Fe510	Hardox	Fe510	Hb400	Hb400
Spessore Thickness	6 mm	12.5 mm	5 mm	15 mm	6 mm	20 mm	200 x 20 mm	

Classe Class	Codice Code	L mm.	Cap. SAE Lt.	Peso Weight Kg.	RL mm.	P mm.		
T.48 T.50 7,0-12 ton	T50PFO140	1400	348	244	649	358		
	T50PFO150	1500	375	258				
	T50PFO160	1600	403	271				
	T50PFO180	1800	458	298				
	T50PFO200	2000	513	324				
		1	2	3	4	5	6	7 Optional
Materiale Material	Fe510	Fe510	Fe510	Hardox	Fe510	Hb400	Hb400	
Spessore Thickness	6 mm	12.5 mm	8 mm	15 mm	6 mm	20 mm	200 x 20 mm	

Classe Class	Codice Code	L mm.	Cap. SAE Lt.	Peso Weight Kg.	RL mm.	P mm.		
T.55 12-16 ton	T55PFO150	1500	585	405	830	445		
	T55PFO160	1600	629	440				
	T55PFO180	1800	717	480				
	T55PFO200	2000	805	520				
	T55PFO220	2200	893	560				
		1	2	3	4	5	6	7 Optional
Materiale Material	Fe510	Fe510	Fe510	Hardox	Fe510	Hb400	Hb400	
Spessore Thickness	8 mm	14.2 mm	8 mm	20 mm	8 mm	25 mm	250 x 25 mm	